

HydrauWinch U4PF

Features

- Umbilical winch
- Max. 4 hydraulic high pressure umbilical connections
- Directly driven by high torque hydraulic motor and additional control valves
- Constant tensioning
- Remote control
- Crash frame with integrated lifting lugs and forklift trays

Benefits

24/7

24/7 (de)mobilisation, installation and commissioning



Maintenance during the project

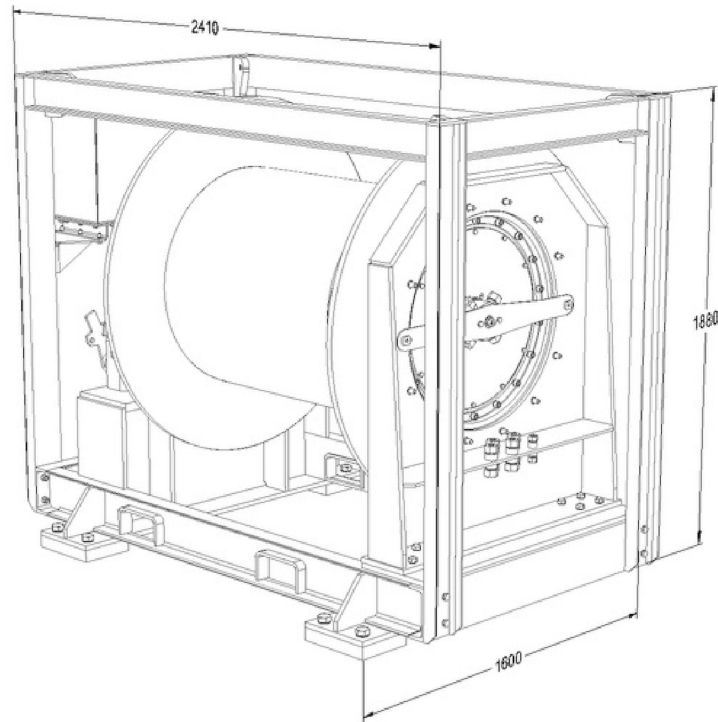


Guaranteed flexibility and high availability



Clear budget and manageable costs

Specifications HWU4PF



Specifications		
Total weight excl. umbilical	3700	kg
Drum diameter	914	mm (ungrooved)
Drum length	1250	mm
Operational temperature	-20 to +50	°C
Technical specifications		
Max. line pull 1st layer	5	mton
Max. brake holding capacity	19	mton (1st layer)
Max. speed 1st layer	15	m/min @ 100 l/min
Hydraulic supply	120	l/min
	300	bar
Max. pressure umbilical	420	bar (including rotary coupling)
Connections umbilical	4 x 1/2" or 3/4"	with 25S connection
Drum shields diameter	1500	mm
Pressure	25S	
Return/tank	28L	
Drain	22L	
Load Sense	12S	
High pressure	12S	