



# HydrauWinch 30 CT

## Features

- 30 mton tugger winch
- Offshore certified lifting points acc. DNV 2.7-3 rules
- Provided with rotational pulse pickup to obtain wire length measurement
- Load is measured by 4 load pins in base of the frame
- Bumpless shifting between CT and normal operation
- Fail safe disc brake ensures safe operation and assures accurate measurement

## Benefits

**24/7**

24/7 (de)mobilisation, installation and commissioning



Maintenance during the project

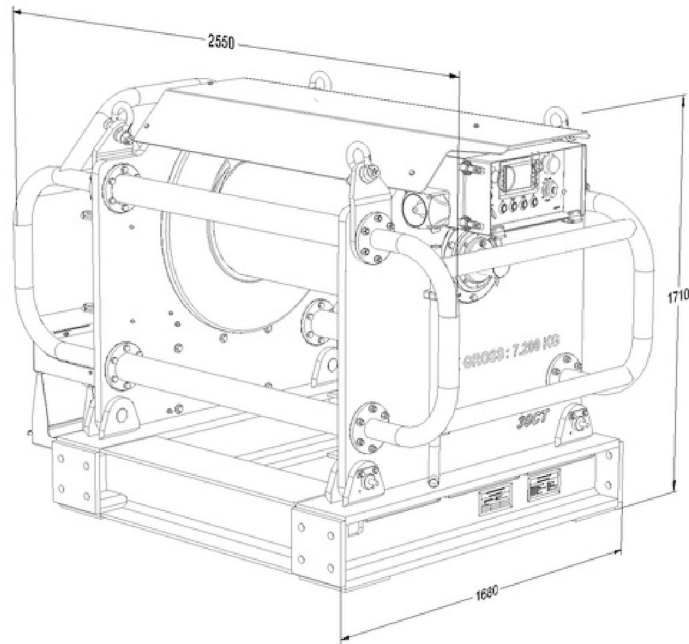


Guaranteed flexibility and high availability



Clear budget and manageable costs

## Specifications HW30CT



Specifications		
Total weight excl. wire	4400	kg
Drum diameter	1000	mm (ungrooved)
Drum length	995	mm
Flange diameter	1000	mm
Operational temperature	-20 to +50	°C
Technical specifications		
Max. line pull 1st layer	325	kN @ 350 bar
Nominal line pull first layer	300	kN @ 325 bar
Max. brake holding capacity	345	kN (first layer)
Max. speed 1st layer	21	m/min @ max. line pull
Hydraulic supply	250	l/min
	350	bar
Max. wire diameter	40	mm (not included)
Nominal wire diameter	36	mm (not included)
Pressure (P)		Quick connector Nipple VOF 114 1 1/4" BSP N 811200004
Return oil (T)		Quick connector Coupler VOF 114 1 1/4" BSP C 811200005
Drain (D)		Quick connector Coupler COF 100 1" BSP C 811200000
Power supply nominal		230 VAC 50Hz or 24 VDC
Power receptacle		IEC 60309; 16 A 3P (230 VAC) Harting Han; A Base Panel 1 (24 VDC)