

HydrauWinch 25 CT

Features

- 25 mton winch, fitted in hoisting frame
- Bumpless shifting between CT and normal operation
- Provided with rotational pulse pickup to obtain wire length measurement
- Fail band brake ensures safe operation
- Both local and remote operation
- Recommended CT maximum is approx. 50% of max. line pull

Benefits

24/7

24/7 (de)mobilisation, installation and commissioning



Maintenance during the project

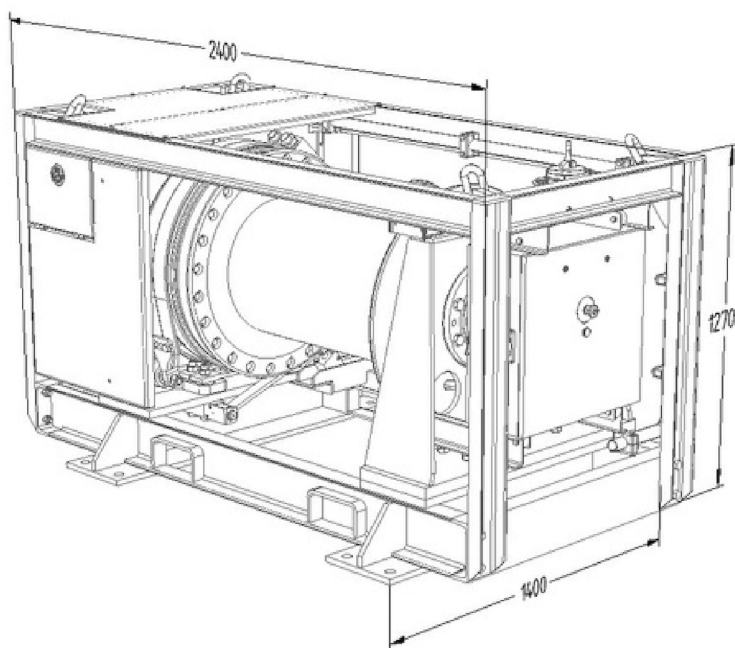


Guaranteed flexibility and high availability



Clear budget and manageable costs

Specifications HW25 CT



Specifications		
Total weight excl. wire	3350	kg
Drum diameter	508	mm (ungrooved)
Drum length	905	mm
Operational temperature	-20 to +50	°C
Technical specifications		
Max. line pull 1st layer	25	mton
Max. brake holding capacity	35	mton (1st layer)
Max. speed 1st layer	10	m/min @ 100 l/min
Hydraulic supply	100	l/min
	300	bar
Max. wire diameter	44	mm (not included)
Wire capacity (28 mm)	300	m
Pressure (P)		SAE 1-1/2" - 6000# (38S)
Return oil (T)		SAE 1-1/2" - 3000# (42L)
Flush (F)	16S	
Drain (D)	28L	
Power supply nominal		230 VAC 50 Hz - 6A
Power receptacle		16 A, IEC 60309