

# HydraWinch 10

## Features

- Ungrooved drum for multifunctional duty
- Including counter balance valve
- Multidisc built in brake
- Multidisc brake protects against uncontrolled release of the wire

## Benefits

**24/7**

24/7 (de)mobilisation, installation and commissioning



Maintenance during the project

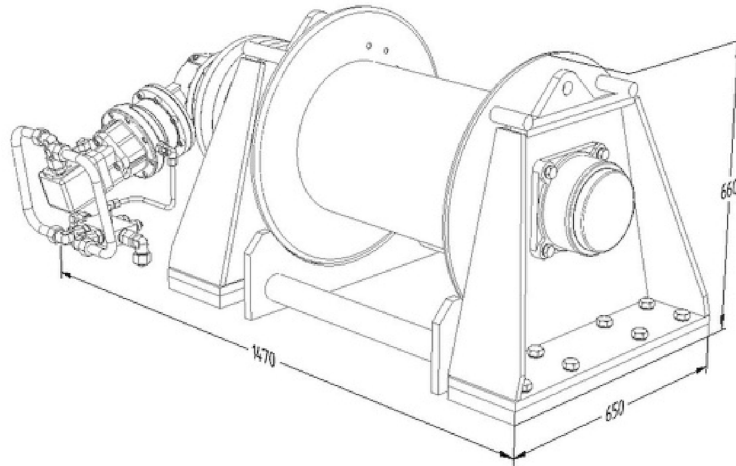


Guaranteed flexibility and high availability



Clear budget and manageable costs

## Specifications HW10



Specifications		
Total weight excl. wire	618	kg
Drum diameter	355	mm (ungrooved)
Drum length	550	mm
Operational temperature	-20 to +50	°C
Technical specifications		
Max. line pull 1st layer	10	mton (160 bar)
Max. brake holding capacity	10	mton
Max. speed 1st layer	10	m/min @ 80 l/min
Wire capacity (16 mm)	160	m (in max. 5 layers)
Pressure (A and B)	20S	
Drain (D)	15L	